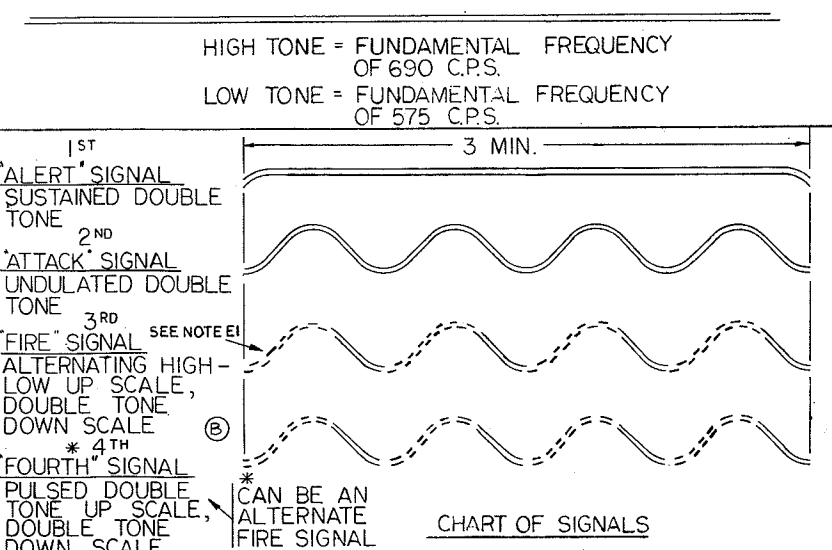
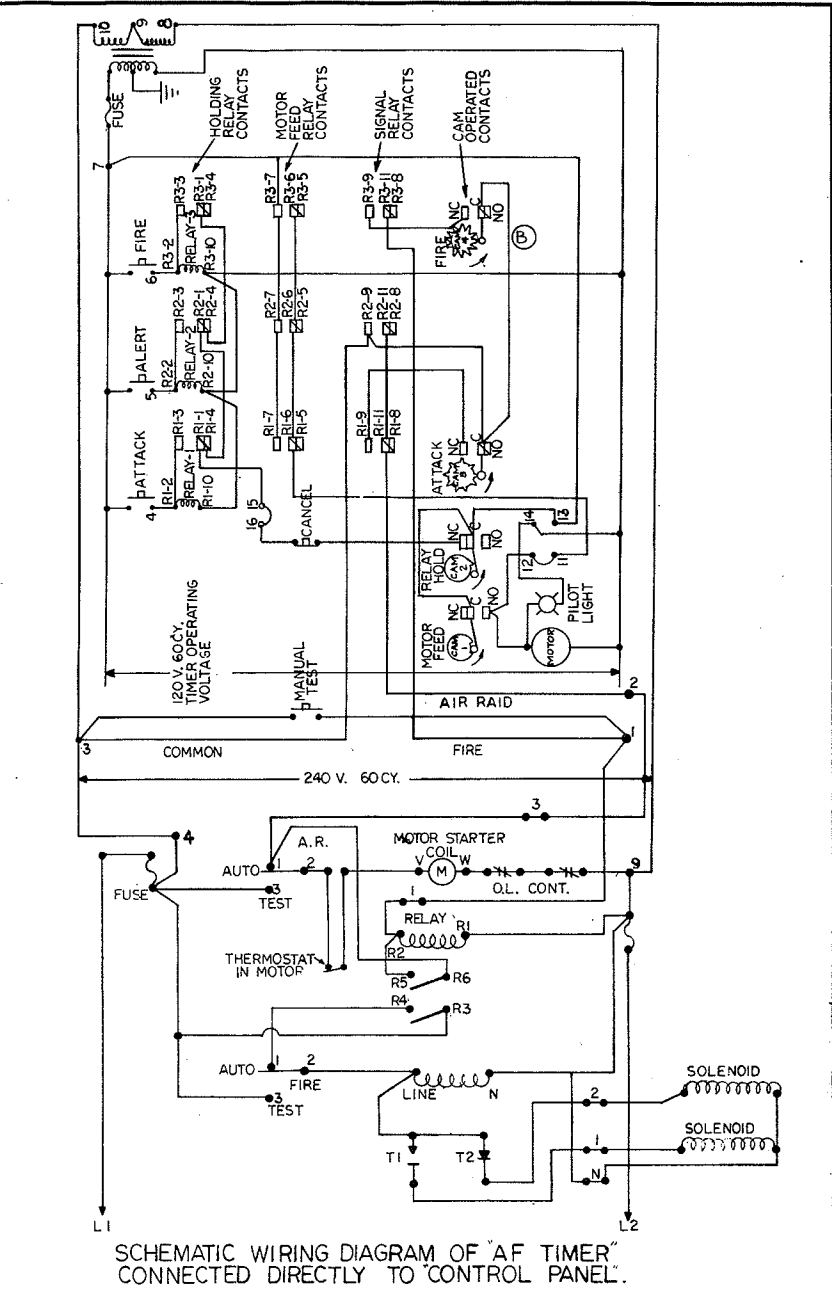
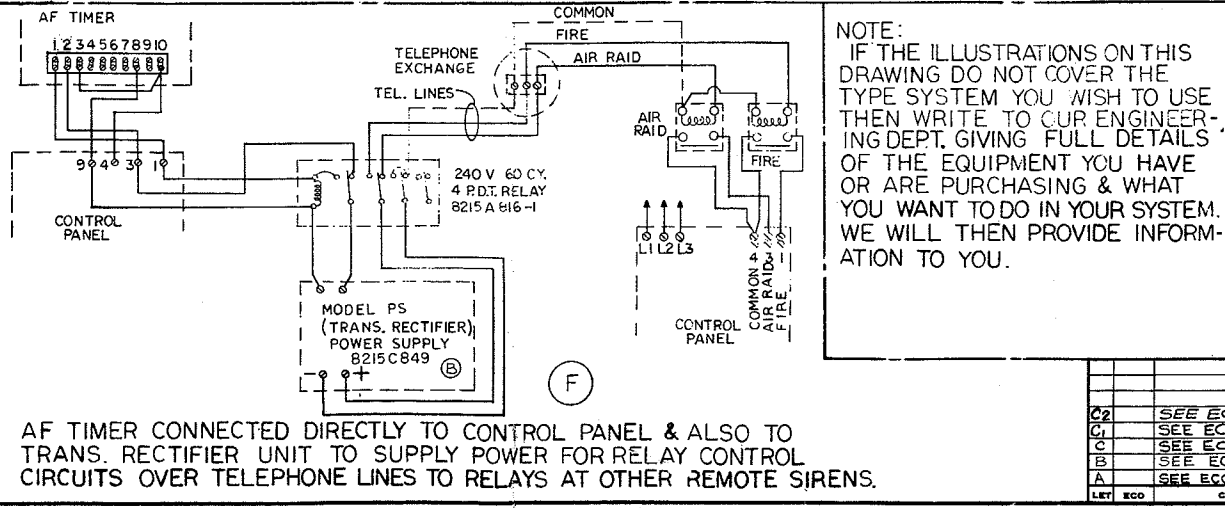
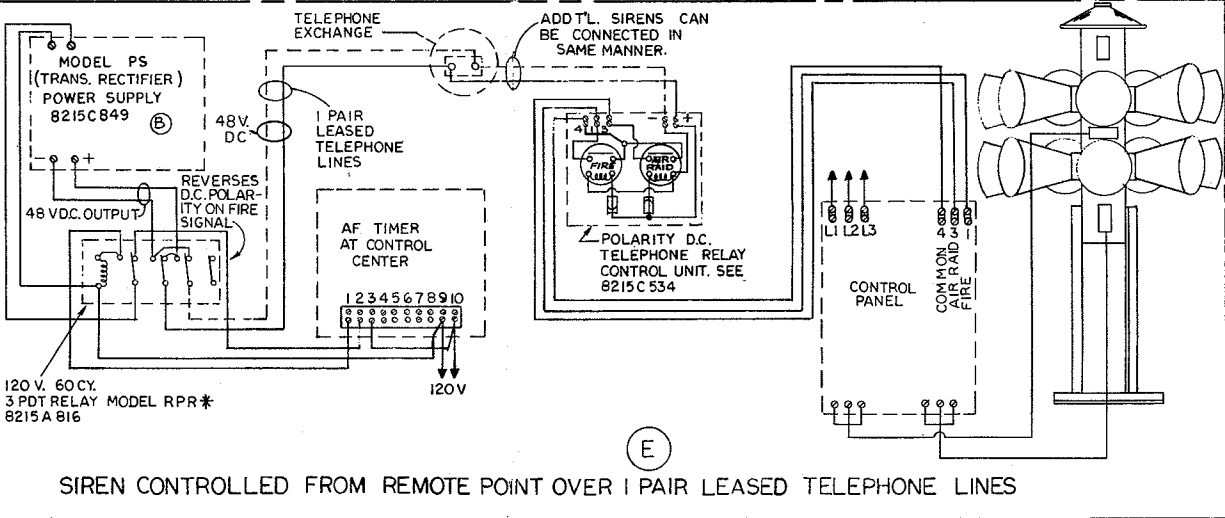
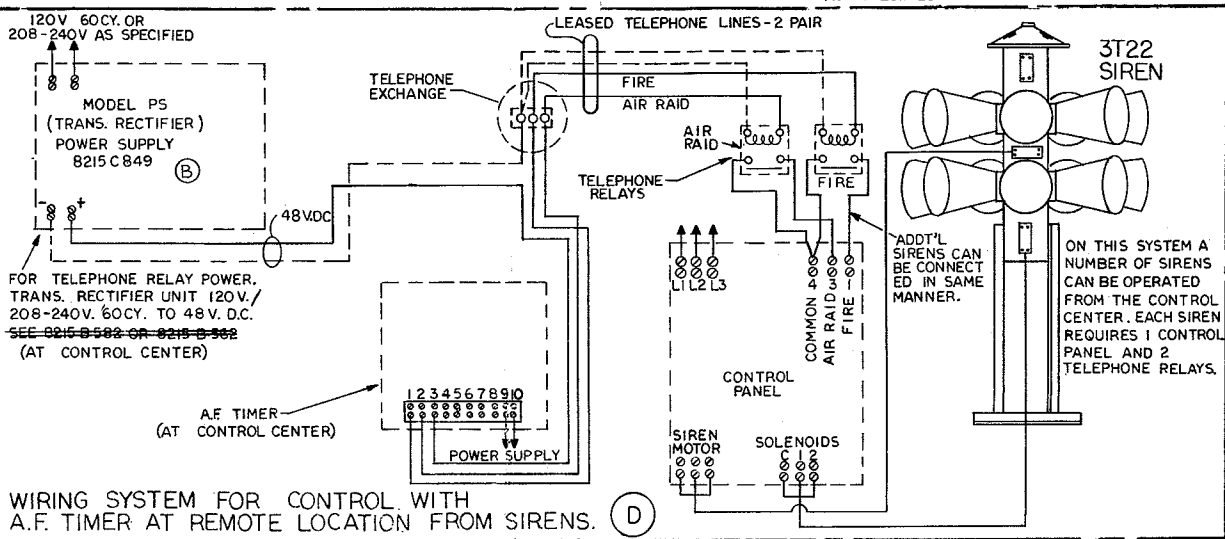
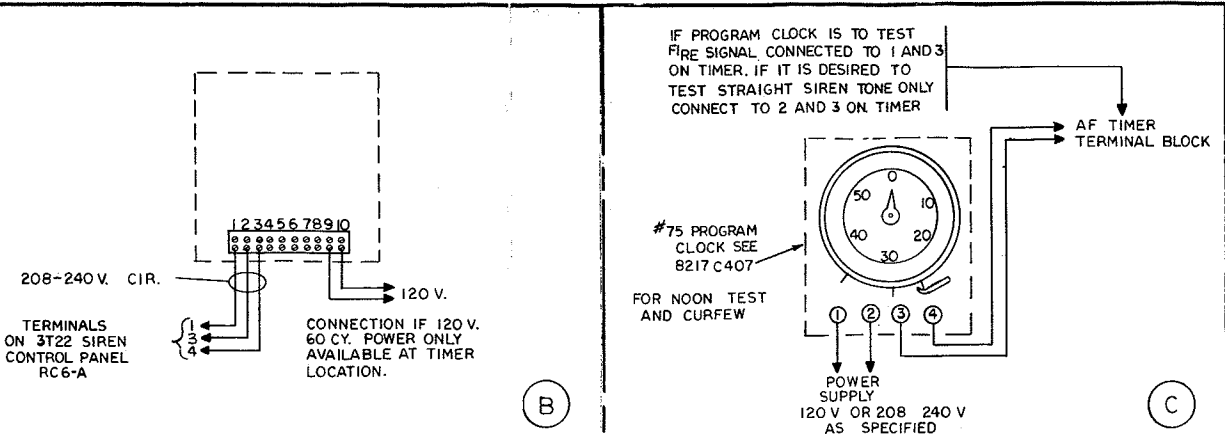


RC6A CONTROL PANEL FOR 3T22 208-240V. 3PH. SIREN
RC6B CONTROL PANEL FOR 3T22 240 V. 1PH. SIREN WITH FURNAS RELAY NO. 14FB12BA7 AND K 72 HEATER.

FOR FOURTH SIGNAL CONNECT BOTH OF THESE WIRES TO TERMINAL #1

LEVER ON TIMER ALLOWS SPEED ADJUSTMENT OF THIRD (FIRE) OR FOURTH SIGNAL.



Q2	SEE ECO #8994	6-1975	MM	FIRST USED ON 240 V. SIREN	MATERIAL	FEDERAL SIGN AND SIGNAL CORPORATION 136TH AND WESTERN AVENUE. BLUE ISLAND, ILLINOIS
C1	SEE ECO #8006	5-29-74	MM	TOLERANCE UNLESS SPECIFIED	FINISH	DRWN. BY MM
C	SEE ECO #7614	10-15-73	MM	FRACT. ± 1/64	NAME	CHKD. BY
B	SEE ECO #7175	8-30-73	BWH		WIRING SYSTEM FOR 3T22 SIRENS	DATE
A	SEE ECO # 6450	6-1972	BG			SCALE
LET	ECO	CHANGE	DATE	BY		